



SF Proving tanks for LPG

1 000 - 2 000 - 5 000- 10 000 litres

Data sheet: DS/MC/0005/EN Ed. 06-2019

LPG proving tanks are used for calibration of p.d. meters for liquefied petroleum gas (LPG).

Standard

These proving tanks conform to OIML R120 International Recommendation. Tolerance of measurement is as follows:

1 000 L	→	± 0,1 L
2 000 L	→	± 0,25 L
5 000 L	→	± 2 L
10 000 L	→	± 4 L

Upon request: the proving tank can be supplied with calibration certificate recognized by EA, IAF, and ILAC (valid both at European and at international level).

Calibration is made by filling the proving tanks by using smaller volume tanks (1000 or 2000 litres), often mounted on the proving tanks to be calibrated in order to make tests easier and faster.



www.isoilmeter.com

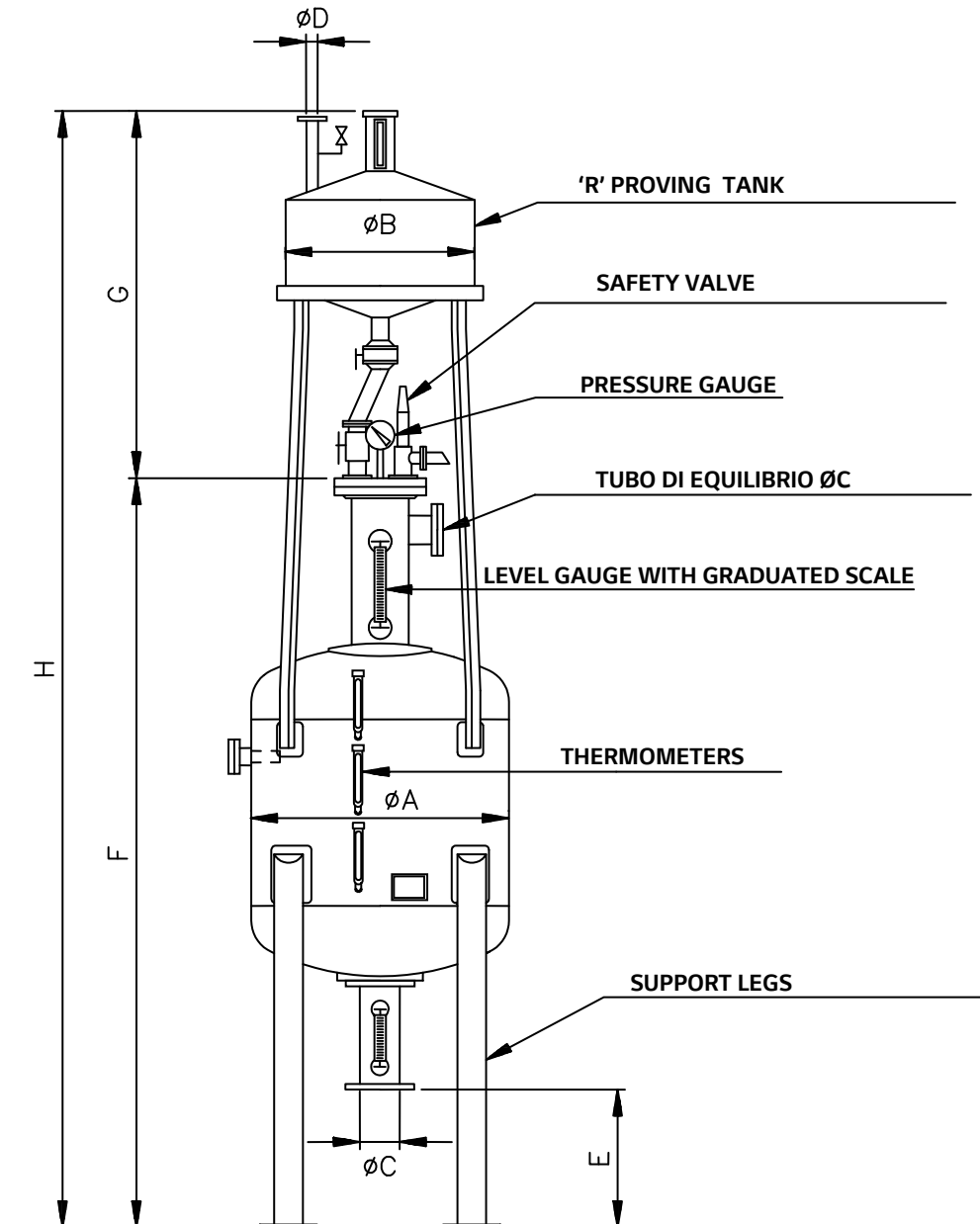
Features

Construction

Body:	<i>Carbon steel with thickness suitable to design pressure (standard up to 25 bar, higher values upon request)</i>
Reading scale:	<i>On the upper and lower neck of the proving tank</i>
Level gauges:	<i>External level gauges (Klinger type)</i>
Painting:	<i>External epoxy paint</i>
Included accessories:	<i>Safety valve Pressure gauge with safety valve Thermometer Connection for pressurization Eyebolts for lifting and bolts for fixing</i>

Dimensions

Dimensions in mm



www.isoilmeter.com

Technical features

TYPE	CAPACITY	'R' PROVING TANK CAPACITY	DIMENSIONS (mm)								WEIGHT (KG)
			A	B	C	D	E	F	G	H	
SF 1 000	1 000 LITRES	1 000 L	1224	-	3"	-	850	3800	-	-	1 000
SF 2 000	2 000 LITRES	1 000 L	1224	-	3"	-	850	4665	-	-	1 600
SF 5 000	5 000 LITRES	1 000 L	1812	1298	6"	2 ½"	900	5308	3392	7800	4 000
SF 10 000	10 000 LITRES	2 000 L	2240	1638	6"	3"	900	6400	3720	10120	6 000