

Positive displacement meters SBM 32



www.isoilmeter.com

The SBM 32 Isoil Positive Displacement meter is suitable for almost every sector of industry and process control. Its main features are:

- High accuracy
- Low pressure drop
- Stepless calibration adjustment
- Suitable for a wide variety of liquids

Operation

Fluid enters the meter thus exerting pressure on the vanes and rotating the rotor inside the measuring chamber. Here the vanes, made of self-lubricating material, flow on the internal surface of the chamber, thus preventing leakage and granting high accuracy in measurement.

Thanks to a seal mounted on the front cover or to a magnetic drive, a shaft connects rotor movement to a counter.

Measured flow rate can therefore be displayed on a mechanical register or, thanks to a pulses emitter, on an electronic counter.

Usage

- Container filling
- Tank truck loading or unloading
- Mobile fuel bowser
- Blending or dispensing of chemicals, etc.
- Aircraft refuelling

Construction Materials

- Body: carbon steel
- Rotor: aluminium alloy
- Vanes: Xenia (technopolymer)
- Bearings: Stainless steel
- Seals: NBR (FKM upon request)

Technical characteristics

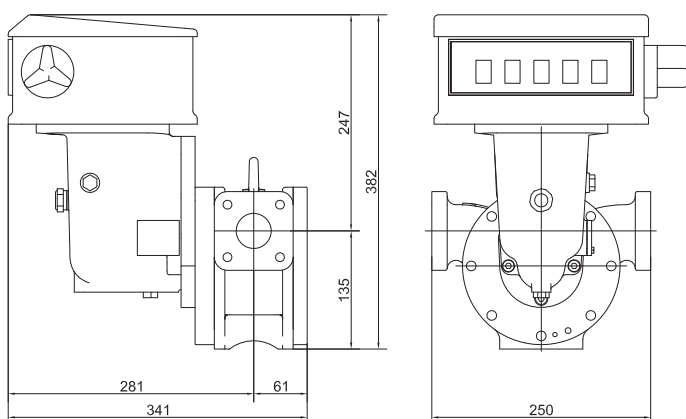
- Flow rate: 30 ÷ 350 l/min.
- Accuracy: $\pm 0,15\%$
- Repeatability: 0,04%
- Temperature: $-10 \div +60^{\circ}\text{C}$
- Maximum working pressure: 1000 kPa
- Weight with pulses emitter EM6422: 20 Kg
- Nominal diameter: 1,5"
- Flanges connection: square 90x90 mm

Accessories

- Ex-d Pulses emitter for electronic flow computer: EM 6422
- Pulses emitter for mechanical counter: EM 345 (Ex-i); EMT2-2 (Ex-d)
- Mechanical Counter
- Mechanical preset valve
- Strainer - air separator
- Electronic ticket printer
- Flow computer: VEGA T or VEGA 3
- Instant flow rate indicator

Dimensions

With Mechanical Counter



With Pulses Emitter EM6422

